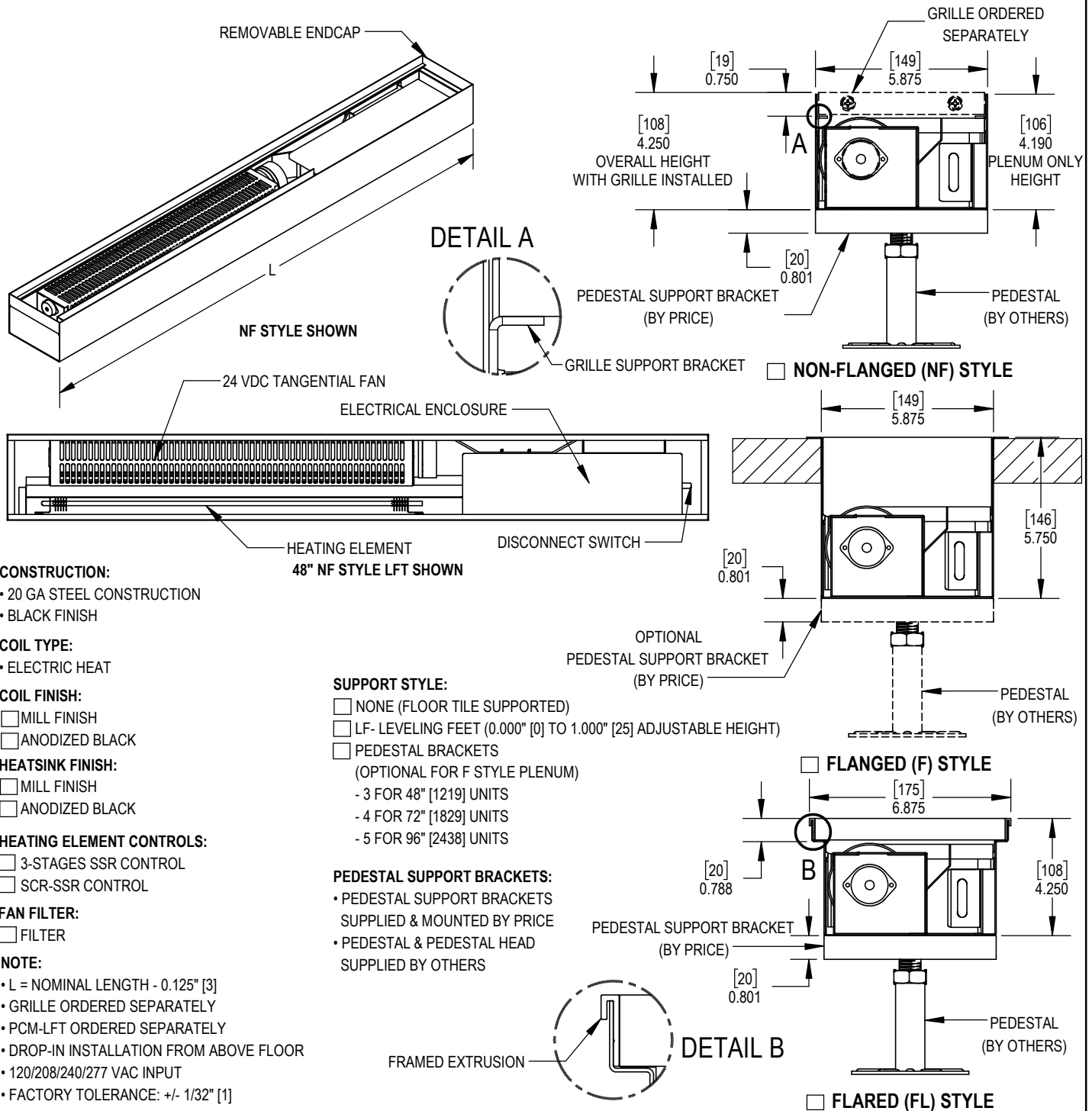


**LINEAR FAN TERMINAL - ELECTRIC COIL
LFT-EC**



CONSTRUCTION:

- 20 GA STEEL CONSTRUCTION
- BLACK FINISH

COIL TYPE:

- ELECTRIC HEAT

COIL FINISH:

- MILL FINISH
- ANODIZED BLACK

HEATSINK FINISH:

- MILL FINISH
- ANODIZED BLACK

HEATING ELEMENT CONTROLS:

- 3-STAGES SSR CONTROL
- SCR-SSR CONTROL

FAN FILTER:

- FILTER

NOTE:

- L = NOMINAL LENGTH - 0.125" [3]
- GRILLE ORDERED SEPARATELY
- PCM-LFT ORDERED SEPARATELY
- DROP-IN INSTALLATION FROM ABOVE FLOOR
- 120/208/240/277 VAC INPUT
- FACTORY TOLERANCE: +/- 1/32" [1]

SUPPORT STYLE:

- NONE (FLOOR TILE SUPPORTED)
- LF- LEVELING FEET (0.000" [0] TO 1.000" [25] ADJUSTABLE HEIGHT)
- PEDESTAL BRACKETS (OPTIONAL FOR F STYLE PLENUM)
 - 3 FOR 48" [1219] UNITS
 - 4 FOR 72" [1829] UNITS
 - 5 FOR 96" [2438] UNITS

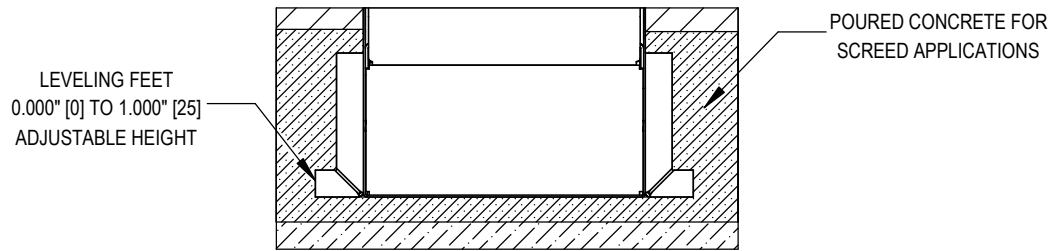
PEDESTAL SUPPORT BRACKETS:

- PEDESTAL SUPPORT BRACKETS SUPPLIED & MOUNTED BY PRICE
- PEDESTAL & PEDESTAL HEAD SUPPLIED BY OTHERS

ALL METRIC DIMENSIONS [] ARE SOFT CONVERTED. IMPERIAL DIMENSIONS ARE CONVERTED TO METRIC AND ROUNDED TO THE NEAREST MILLIMETER.

PROJECT:		PRICE	
ENGINEER:		APPROVED BY: PS	LFT-EC LINEAR FAN TERMINAL ELECTRIC COIL
CUSTOMER:		DRAWING NO: 275804	
SUBMITTAL DATE:		DATE DRAWN: 2024-01-15	
SPEC. SYMBOL:			

**LINEAR FAN TERMINAL - ELECTRIC COIL
LFT-EC**



HEAT OUTPUT AND FAN CFM

NOMINAL LENGTH	MAXIMUM HEAT OUTPUT (kW)	AIR FLOW CAPACITY (CFM) (NOMINAL MAXIMUM)	AMPS(A) FAN ONLY
<input type="checkbox"/> 48.000 (1219)	1.0	120	0.8
<input type="checkbox"/> 72.000 (1829)	2.0	240	1.7
<input type="checkbox"/> 96.000 (2438)	2.5	360	1.9

ELECTRIC HEATER AMPS AND MCA

VOLTS	MAXIMUM HEAT OUTPUT (kW)	AMPS	MCA	MOP
120V-1	1.0	8.3	10.4	15.0
208V-1	1.0	4.8	6.0	15.0
208V-1	2.0	9.6	12.0	15.0
208V-1	2.5	12.0	15.0	15.0
240V-1	1.0	4.2	5.2	15.0
240V-1	2.0	8.3	10.4	15.0
240V-1	2.5	10.4	13.0	15.0
277V-1	1.0	3.6	4.5	15.0
277V-1	2.0	7.2	9.0	15.0
277V-1	2.5	9.0	11.3	15.0

PLENUM BORDER FINISH (FL PLENUM STYLE)

- B11 - BRIGHT WHITE
- B12 - STANDARD WHITE
- B13 - OFF-WHITE
- B15 - METALLIC GRAY
- B17 - BLACK
- B25 - CUSTOM MATCHED COLOR
- PC12 - PRIME COAT
- MILL - RAW ALUMINIM
- PA - PREPARED ALUMINUM (MILL FINISH FACTORY CLEANED)
- AB - ANODIZED BLACK
- AC - ANODIZED CLEAR
- ALB - ANODIZED LIGHT BRONZE
- AMB - ANODIZED MEDIUM BRONZE
- ADB - ANODIZED DARK BRONZE
- ACH - CHAMPAGNE ANODIZED
- ASPL - SPECIAL ANODIZED COLOR OTHER THAN ABOVE
- SPL - SPECIAL TYPE OF PAINT (COLOR TO MATCH)

GRILLE STYLE (ORDERED SEPARATELY)

- NF STYLE
 - LFG MANDREL CORE ONLY (NOMINAL SIZE = NOMINAL LENGTH - .230"[6] X 5.770"[147])
 - RFG (NOMINAL SIZE = NOMINAL LENGTH X 6.000"[152])
- F STYLE
 - LFG 1000 STYLE (NOMINAL SIZE = NOMINAL LENGTH - .125"[3] X 5.875"[149])
- FL STYLE
 - RFG (NOMINAL SIZE = NOMINAL LENGTH X 7.000" [178])

ALL METRIC DIMENSIONS [] ARE SOFT CONVERTED. IMPERIAL DIMENSIONS ARE CONVERTED TO METRIC AND ROUNDED TO THE NEAREST MILLIMETER.

PROJECT:		 APPROVED BY: PS DRAWING NO: 275804 DATE DRAWN: 2024-01-15
ENGINEER:		
CUSTOMER:		
SUBMITTAL DATE:	SPEC. SYMBOL:	
LFT-EC LINEAR FAN TERMINAL ELECTRIC COIL		